



QUAKER
COMMERCIAL WINDOWS AND DOORS



**B500 Series
HC50**

**3 1/4" Frame Depth
Picture Window (Fixed)**

B500 SERIES PICTURE WINDOW (FIXED)

The Quaker Blast B500 Series Single Hung window is specially glazed specifically designed to meet ASTM F1642-04 (Standard Test Method for Glazing and Glazing System Subject to Airblast Loadings) resulting in a high GSA/ISC Performance Condition.

FEATURES

- ◇ **Commercial Framing System**
 - 3 1/4" main frame
 - 0.062" wall thickness of frame and sash
- ◇ **Enhanced Design**
 - Azon pour and debridge thermal break is 1/2" wide in all main frame and vent rail extrusions
- ◇ **Glazing**
 - 1" insulated glass

OPTIONS

- ◇ **Available Configurations**
 - Fixed
- ◇ **Muntin Choices**
 - Internal or simulated divided lites available
- ◇ **Nailing Fin**
- ◇ **Glazing**
 - Capillary tubes
 - Argon gas
 - Wide variety of glazing, tinting and thickness options
- ◇ **Panning & Trim Choices**
 - Wide variety of panning, receptor and trim available
- ◇ **Mulling**
 - Wide variety of structural mulls

BENEFITS

- ◇ The capacity to match exterior colors for unique project facades
- ◇ The ability to facilitate large sizes for taller and wider window openings

PERFORMANCE

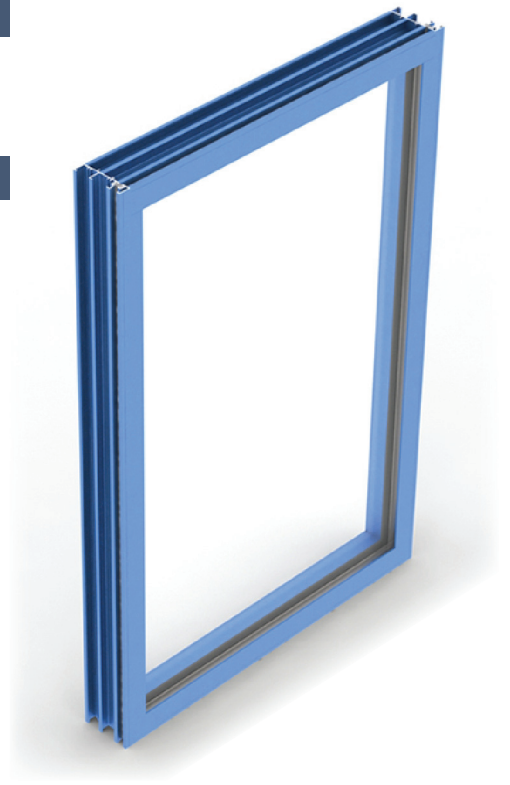
- ◇ **Structural & Blast** (test reports or thermal simulations available upon request)

Model	Picture Window (Fixed)
AAMA/WDMA/CSA 101/I.S.2/A440-08 Rating	HC50
Structural Load P.S.F.	75.0
Air at 50 MPH (cfm/ft ²)	0.1
Water (No Penetration) P.S.F.	12

- ◇ **Blast** (test reports or thermal simulations available upon request)

ASTM Hazard Rating	Very Low Hazard
GSA Performance Condition	3a
Average Peak Blast Pressure	6.8 psi
Average Positive Phase Impulse	44 psi-msec
Average Positive Phase Duration	14 msec

Window test size: 72" x 72"



Our products are tested to the standards of and certified by the American Architectural Manufacturer's Association, the National Fenestration Rating Council and the Window & Door Manufacturers Association.

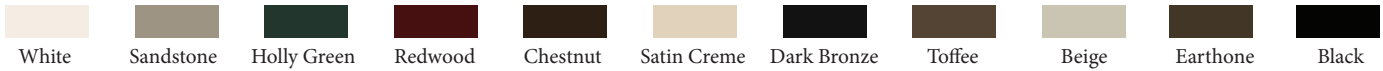


QUAKER
COMMERCIAL WINDOWS AND DOORS

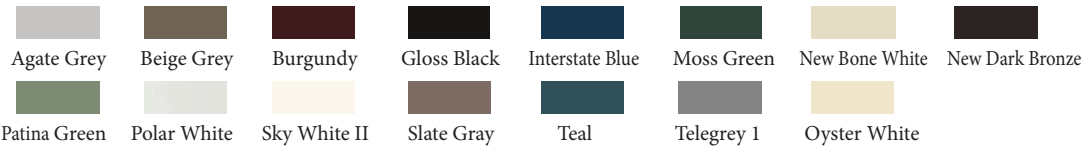
ARCHITECTURAL PAINT COATINGS AND FINISHES

◇ Baked on powder coat finish meets ANSA/AAMA 2604 specs and is available in unlimited colors

- 11 Popular Colors



- 15 Impressive Colors



- 7 Resemble Colors (painted finish resembling anodized)



- Unlimited Custom Colors

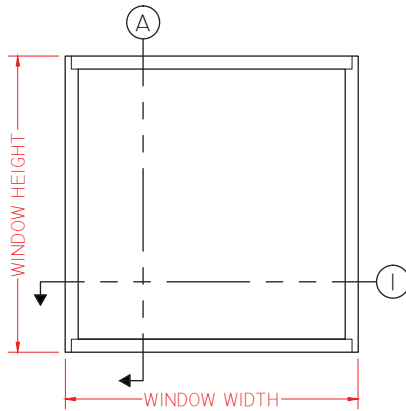
◇ ANSA/AAMA 2605 powder coat finishes

◇ AAMA 611-98 Class I clear and tinted anodized finishes

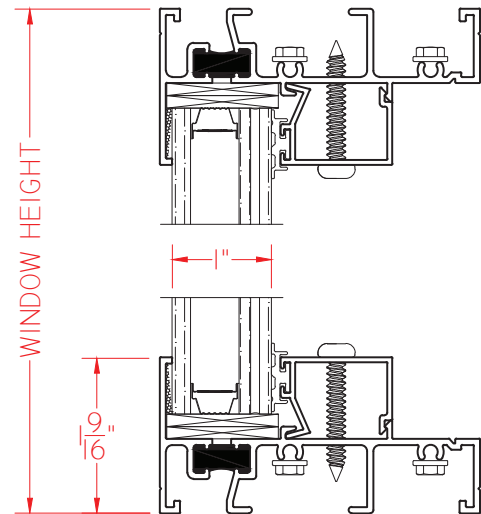
* Printed colors shown here may not accurately depict actual painted colors. Color samples are available upon request.

500 Fixed

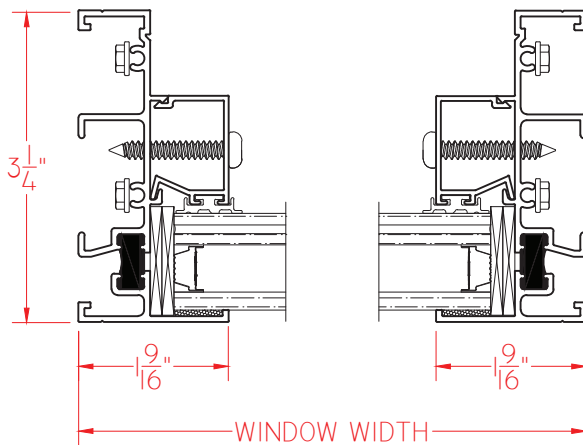
This document contains confidential and proprietary information intended for the private use of Quaker.
 © 2016 Quaker Window Products Co., INC. All rights reserved.
 Quaker reserves the right to change any/all designs without notice. Due to periodic re-certification requirements, result shown may vary.



Ⓐ Vertical Cross Section



Ⓛ Horizontal Cross Section



Our products are tested to the standards of and certified by the American Architectural Manufacturer's Association, the National Fenestration Rating Council and the Window & Door Manufacturers Association.

